

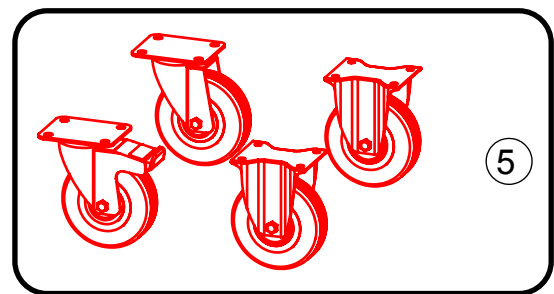
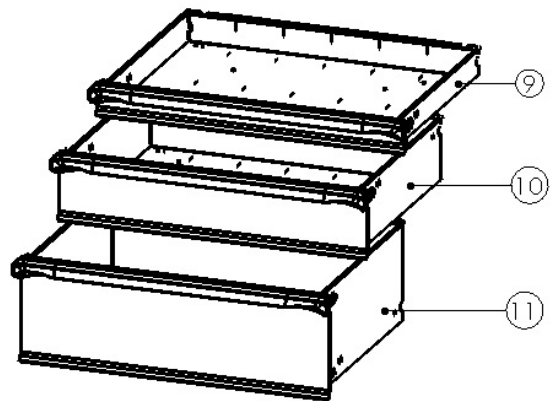
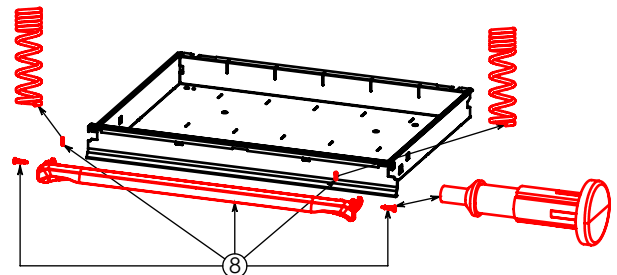
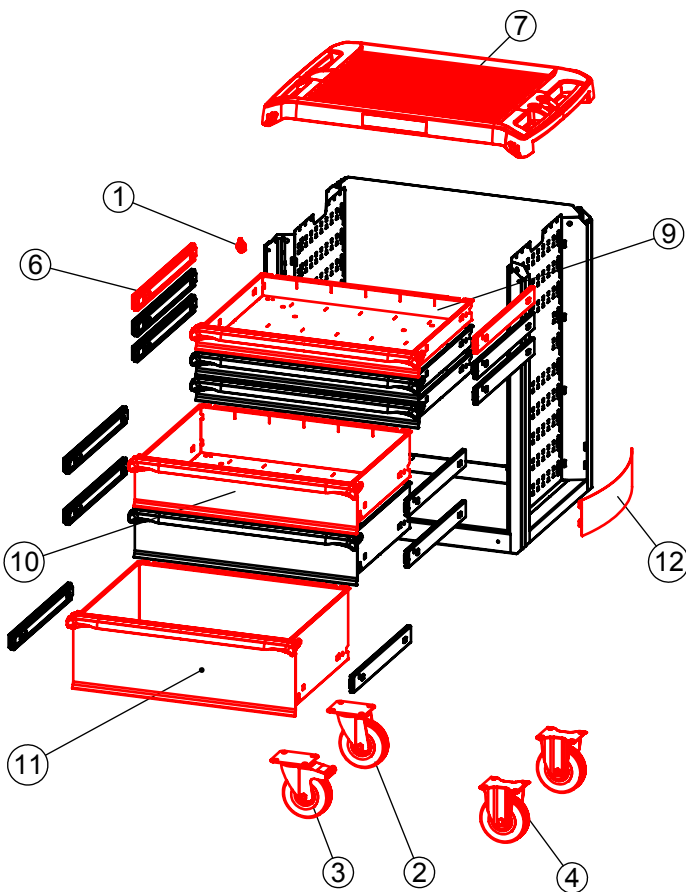


ROLL.6M3 - ROLL.6M3PB ROLL.6GM3 - ROLL.6GM3PB

		ROLL.6M3 ROLL.6M3PB	ROLL.6GM3 ROLL.6GM3PB
1	2840.17	1	1
2	2092.09	1	1
3	2092.10	1	1
4	2092.11	2	2
5	SER.J4R	1	1
6	SER.GL10 	6	6
7	ROLL3-01	1	1
8	ROLL3-02	6	6
9	ROLL3-70R2	3	3
	ROLL3-70G5		3
10	ROLL3-140R2	2	
	ROLL3-140G5		2
11	ROLL3-210R2	1	
	ROLL3-210G5		1
12	SER.SBR2	1	
	SER.SBN1		1



ROLL.6M3 - ROLL.6M3PB ROLL.6GM3 - ROLL.6GM3PB

SER.SBN1



SER.SBR2



JET.A1GXL



JET.A2GXL



JET.A5-2XL



JET.A5-3GXL



2600.A2



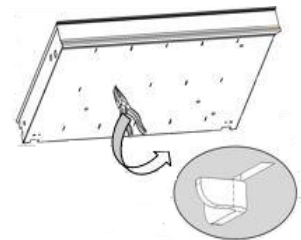
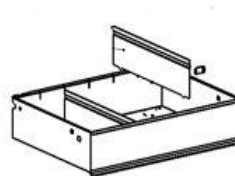
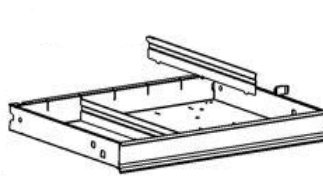
MODM.



MOD.



JET2.15 JET2.16



Stanley Black & Decker France - 5 allée des Hêtres - 69760 Limonest - France
Tel: 01 64 54 45 14 www.facom.com

NU-ROLL6.M3_0318